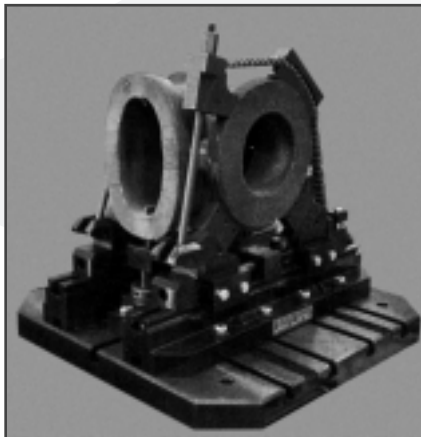
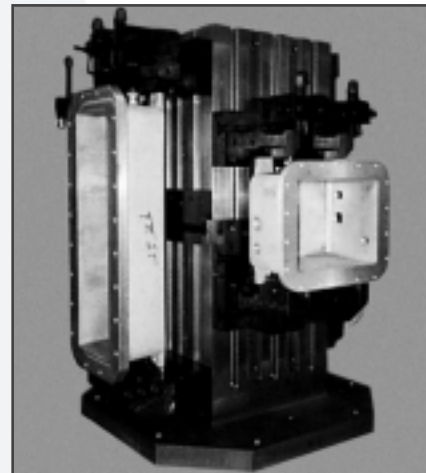


SPECIALTY MANUAL FIXTURES

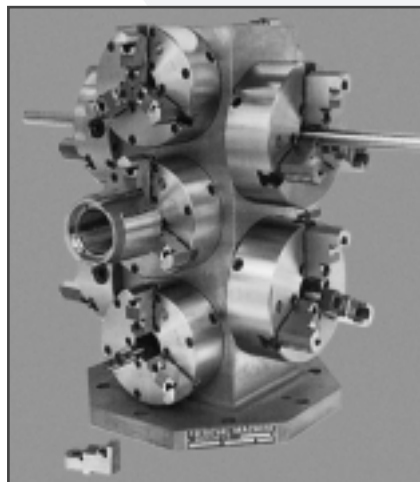
Royal designs and builds special manual fixtures for a wide variety of parts. We have provided workholding solutions to companies with parts that have unusual configurations and are difficult to machine. Whenever possible, Royal will provide modularity and interchangeability to provide the customer with the lowest cost solution to his workholding requirements. Royal is proud of its ability to solve workholding problems.



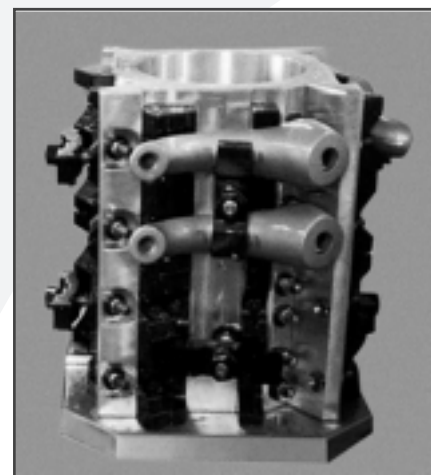
Modular fixture with special brackets to accommodate oval flange.



Column fixture with modular components for a wide variety of parts.



Universal column with 10 chucks which provides a wide variety of uses.



Special fixture for holding 16 faucets.